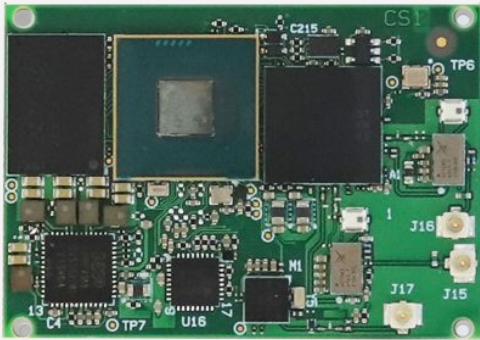


i.MX 8XLITE SOM

2 x Arm Cortex-A35, 1 x Cortex-M4F, 1.2GHz

NXP i.MX 8XLite Processor System on Module

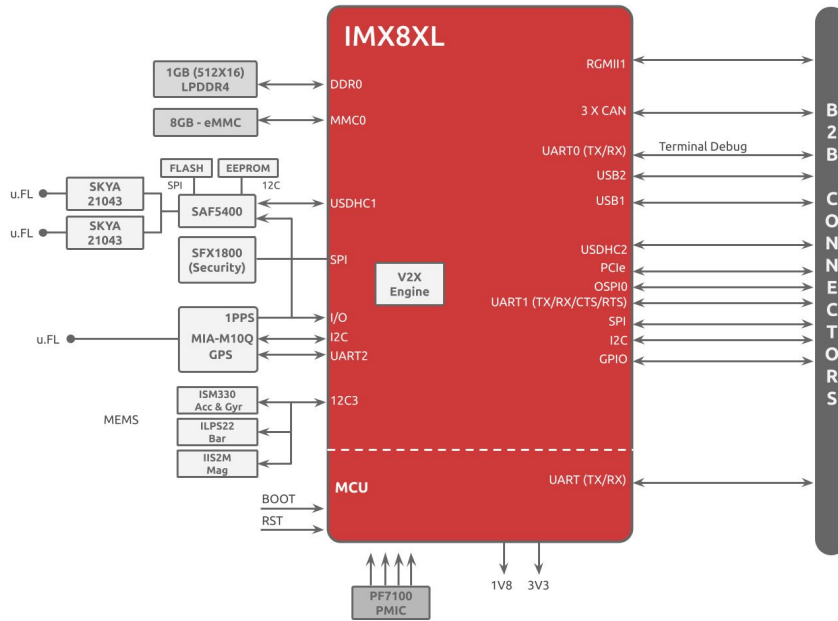


- Built-in V2X and V2I capabilities
- Supports Ethernet, CAN, PCIe, and USB 2.0 for advanced communications
- Small form factor and low power consumption



		i.MX 8XLite V2X Telematics
CPU Details	CPU Name	NXP i.MX 8XLite Automotive grade
	CPU Type	2 x Cortex A35 1 x Cortex M4F
	CPU Speed	1.2GHz Industrial / Automotive
RAM	Memory & Storage	1GB LPDDR4 with inline ECC Optional - 2GB LPDDR4
	Internal Storage	Starting from 8GB eMMC (Default)
	External Storage Support	NOR-Flash SD, USB 2.0 PCIe-SSD
Networking	Ethernet	1 RGMII (The ethernet switch and phy on the carrier board)
	Security	IEEE802.11P (DSRC) Transceiver Dual NXP SAF5400 (2x u-FL) HSM NXP SFX1800 - V2X security
Navigation	GNSS	GNSS U-blox M10 (1x u-FL)
	Inertial Measurement Unit	IMU 9 axis (6 + 3) Pressure sensor (Altimeter)
Connectivity	USB 2.0	2
	PCIe	1
	I2C	2
	SPI	2
	UART	2
	GPIO	✓
	PWM	✓
	SD/ eMMC	1
	JTAG	Test point header
	CAN-FD	3
OS Support	Embedded Linux	Linux (Yocto or Debian) Including API for DSRC subsystem
Physical	Size	50 x 35 mm
	Interface	2 x Hirose DF12NC Automotive connectors
Power	Main Voltage	5V
	I/O Voltage	3.3V / 1.8V
Environment	Temperature	Industrial: -40°C to 85°C Industrial Extendend: -40°C to 105°C
	Humidity	Humidity (Non-condensing): 10% – 90%

IMX8XL SOM



Ordering Information

Available on Shop

SKU	Description
	SOM i.MX 8XL Dual V2X 1GB RAM 8GB eMMC Ind.Temp R1.0

• To choose your ideal configuration see our [Product Configurator Tool](#)

Accessories:

SKU	Description

Kits

SKU	Description

For more information about the i.MX 8XLite SOM Software/Hardware visit our:

Developer Center